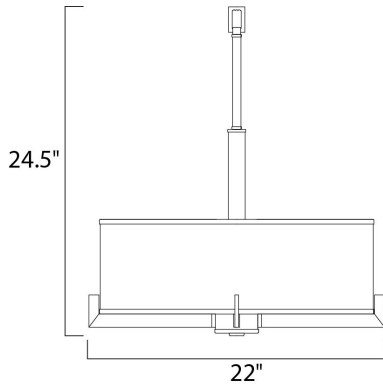




**PRODUCT DESCRIPTION**

The Nexus collection is the true standard for contemporary lighting. The flat rectangular tube arm forms to a perfect angle and comes finished in choice of Satin Nickel or Oil Rubbed Bronze. The White fabric drum shade is trimmed with metal rings in matching finish for a clean, tailored look.





**MEASUREMENTS**

- DIMENSION : 22" L x 22" W x 24.5" H
- MAX OAH : 60.5" OAH
- CANOPY : 5.12" W x 1.13" H
- HANGING WEIGHT : 12.1 lb

**LAMPING**

- INPUT VOLTAGE : 120V
- BULB : 4 x 60W Incandescent E26 Medium , 240W Total
- BULB INCLUDED : (Not Included)
- DIMMABLE : Yes

**FINISHES OPTION**

-  Oil Rubbed Bronze (OI)
-  Satin Nickel (SN)

**MATERIAL**

Steel, Fabric, Acrylic

**RATINGS**

cETLus  
Dry Location



**ADDITIONAL**

ADJUSTABLE  
OPERATING TEMPERATURE:  
-20°C (-4°F), 40°C (104°F)

Always consult a qualified electrician before installing any lighting product.



WESTERN DISTRIBUTION CENTER (HEADQUARTER)  
253 NORTH VINELAND AVE | CITY OF INDUSTRY, CA 91746

EASTERN DISTRIBUTION CENTER  
101 GARDNER PARK | PEACHTREE CITY, GA 30269

P. 626.956.4200 | F. 626.956.4225 | maximlighting.com